

SHM-SS 316

(50~300mm) – 50°C and 90°C

Stainless Steel 316

SHM-SS316 is a high quality Stainless Steel 316 flowmeter, it can use for cold and hotwater, measuring application for clean water, chemicals and foods/beverages etc.

This type of water meter can be used for a remote reading transmission system as equipped with a built-in sensor.



Application

--Measuring the volume of cold (hot) water passing through the pipeline

Feature:

- Removable element structure, easy installation and maintenance, register for universal use within this range detachable without Removing the meter from the pipeline;
- Dry-dial, Magnetic drive sensitive action, small pressure loss;
- Vacuum sealed register ensures the dial keep free from fog and Keep the reading clear in a long term service;
- Selected high quality materials for steady & reliable characteristic;
- Technical data conform to international standard ISO 4064.
- Warranty 1 years

Working condition

Water temperature: 0.1°C ~ 40°C (0.1°C ~ 90°C for hot water meter)

Water pressure: $\leq 1\text{Mpa}$ (1.6MPa for special requirement)

Maximum permissible errors

- (1) in the lower zone from q_{\min} inclusive up to but excluding q_t is $\pm 5\%$
- (2) in the upper zone from q_t inclusive up to and including q_s is $\pm 2\%$ ($\pm 3\%$ for hot water meter)



MAIN TECHNICAL SPECIFICATIONS

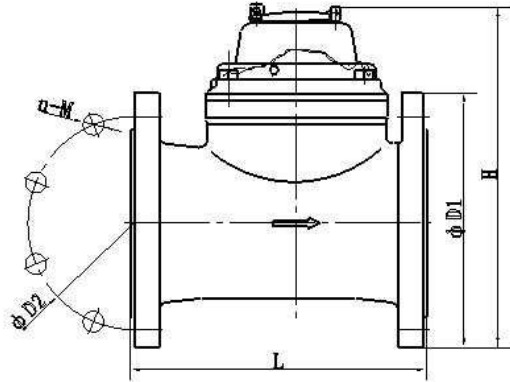
Type	Size (mm)	Class	Q _s	Q _p	Q _t	Q _{min}	Min. Reading	Max. Reading
			Overload Flow	Permanent Flow	Transitional Flow	Min. Flow		
			m ³ /h				m ³	
SHM-SS316	50		30	15			0.0002	999,999
		B			3.0	0.45		
SHM-SS316	65		50	25			0.0002	999,999
		B			5	0.75		
SHM-SS316	80		80	40			0.002	999,999
		B			8.0	1.2		
SHM-SS316	100		120	60			0.002	999,999
		B			12	1.8		
SHM-SS316	125		200	100			0.002	999,999
		B			20	3		
SHM-SS316	150		300	150			0.002	999,999
		B			30	4.5		
SHM-SS316	200		500	250			0.002	999,999
		B			50	7.5		
SHM-SS316	250		800	400			0.002	9,999,999
		B			80	12		
SHM-SS316	300		1200	600			0.02	9,999,999
		B			120	18		



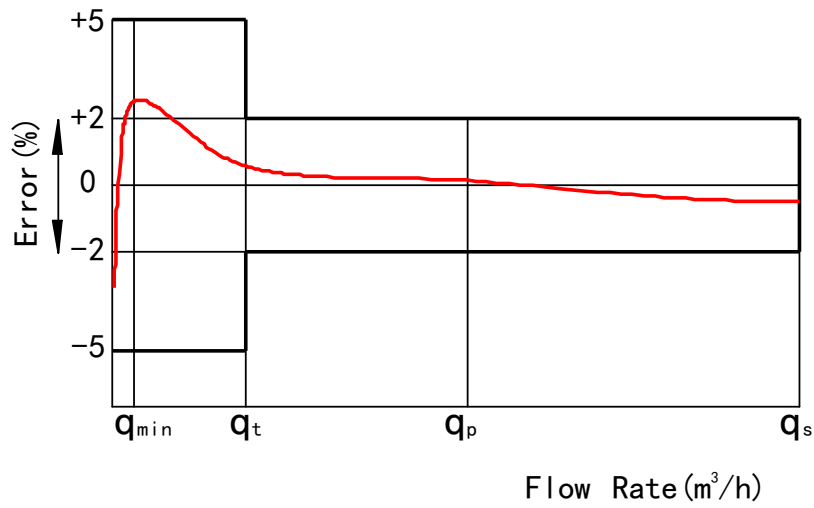
DIMENSIONS

Type	Size	L Length	H Height	Connecting flange		
				ϕ D1 Outside diameter	ϕ D2 Bolt circle diameter	Connecting Bolts (n-M)
	mm					
SHM-SS316	50	200	261	165	125	4-M16
SHM-SS316	65	200	271	185	145	4-M16
SHM-SS316	80	225	279	200	160	8-M16
SHM-SS316	100	250	289	220	180	8-M16
SHM-SS316	125	250	299	250	210	8-M16
SHM-SS316	150	300	319	285	240	8-M20
SHM-SS316	200	350	346	340	295	8-M20(1.0MPa)
						12-M20(1.6MPa)
SHM-SS316	250	450	450	395(1.0MPa)	350(1.0MPa)	12-M20(1.0MPa)
				405(1.6MPa)	355(1.6MPa)	12-M24(1.6MPa)
SHM-SS316	300	500	478	445(1.0MPa)	400(1.0MPa)	12-M20(1.0MPa)
				460(1.6MPa)	410(1.6MPa)	12-M24(1.6MPa)

NOTE: The flange dimension conforms to ISO7005-2:1988 standard. Order for products of special requirements is also accepted.



Flow Error Curve



Pressure Loss Curve

