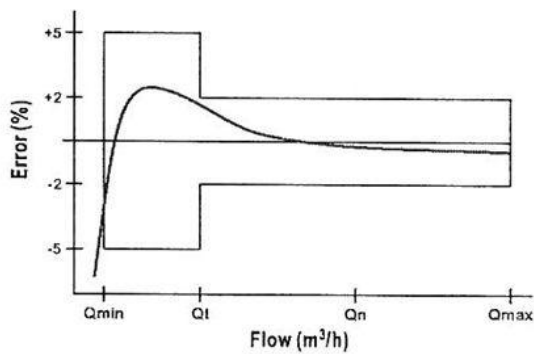




## Performance Table

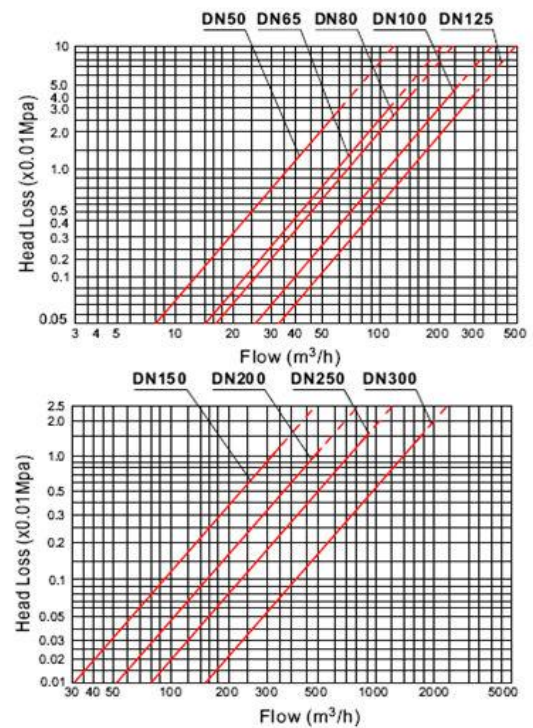
Nominal Diameter		DN	50	65	80	100	125	150	200	250	300
Size of meter		Q <sub>n</sub>	35	50	75	125	175	250	450	600	800
Q <sub>max</sub>	Maximum peak flow	m <sup>3</sup> /h	70	100	150	250	350	500	900	1200	1600
Q <sub>n</sub>	Continuous flow	m <sup>3</sup> /h	35	50	75	125	175	250	450	600	800
Q <sub>t</sub>	Transitional flow	m <sup>3</sup> /h	10.5	15	22.5	37.5	52.5	75	135	180	240
Q <sub>min</sub>	Minimum flow	m <sup>3</sup> /h	2.8	4	6	10	14	20	36	48	64

## Typical Accuracy Curve

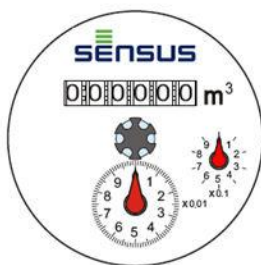


Q<sub>max</sub> = maximum peak flow  
 Q<sub>n</sub> = continuous flow  
 Q<sub>t</sub> = transitional flow  
 Q<sub>min</sub> = minimum flow

## Typical Head Loss Curve



## Dials



DN 50 ... DN 125



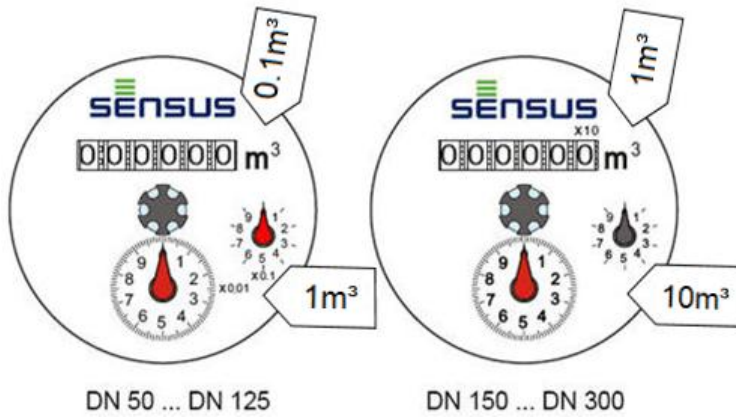
DN 150 ... DN 300

Diameter Nominal DN	Smallest reading m <sup>3</sup>	Max. reading m <sup>3</sup>
«	0.001	999999.999
«	0.01	999999.99

## Pulse Values

Potential free reed switch with 1.4m cable

Pulser	Pulse Value	
	DN 50 ... DN 125	DN 150 ... DN 300
WPI REED	0.1m <sup>3</sup> and 1m <sup>3</sup>	1m <sup>3</sup> and 10m <sup>3</sup>



## Installation Criteria

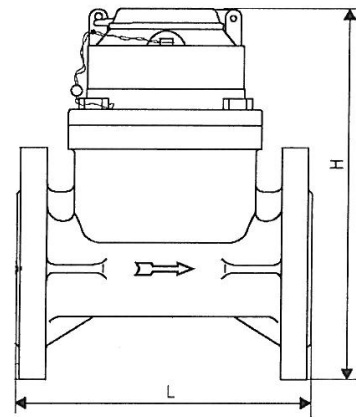
Pipe	horizontal vertical inclined	
Meter head	upwards sideways	

### Installation Requirements

Unrestricted straight pipe in front of the meter  
10 x DN

Unrestricted straight pipe behind the meter  
5 x DN

## Dimension Diagram



## Dimensions and Weights

Nominal Diameter		DN	50	65	80	100	125	150	200	250	300	
Size of meter		Q <sub>n</sub>	35	50	75	125	175	250	450	600	800	
Dimensions	Overall length	L	mm	200	200	225	250	250	300	350	450	500
		H	mm	226.2	227	228	300	320	333.5	339.5	445	500
Weight	Meter	Kg	10.5	11.8	15.5	17.5	19.5	30.5	42.5	58.5	80.5	

WPI Irrigation meter

## Flange Dimensions

---

Flange drilled according to BS 10 Table D

Nominal Diameter	DN	50	65	80	100	125	150	200	250	300
Size of meter	Q <sub>n</sub>	35	50	75	125	175	250	450	600	800
Diameter of bolt circle	P.C.D.	114	127	146	178	210	235	292	356	406
Number of holes		4	4	4	4	8	8	8	8	12
Diameter of bolt holes	∅	17	17	17	17	17	17	17	22	22

Flange drilled according to DIN 2501 PN16 (EN 1092 PN16, BS4504 Table 16)

Nominal Diameter	DN	50	65	80	100	125	150	200	250	300
Size of meter	Q <sub>n</sub>	35	50	75	125	175	250	450	600	800
Diameter of bolt circle	P.C.D.	125	145	160	180	210	240	295	355	410
Number of holes		4	4	8	8	8	8	12	12	12
Diameter of bolt holes	∅	18	18	18	18	18	22	22	26	26

**Sensus South Africa (Pty) Ltd**  
 16 Kyalami Boulevard,  
 Kyalami Business Park, Midrand, South Africa  
 T: +27 11 466 1680; F: +27 11 466 1695  
 E-mail: [sales.za@sensus.com](mailto:sales.za@sensus.com)  
*Distributors throughout Southern Africa*

\*Should you require this brochure in electronic format, please contact us via email.